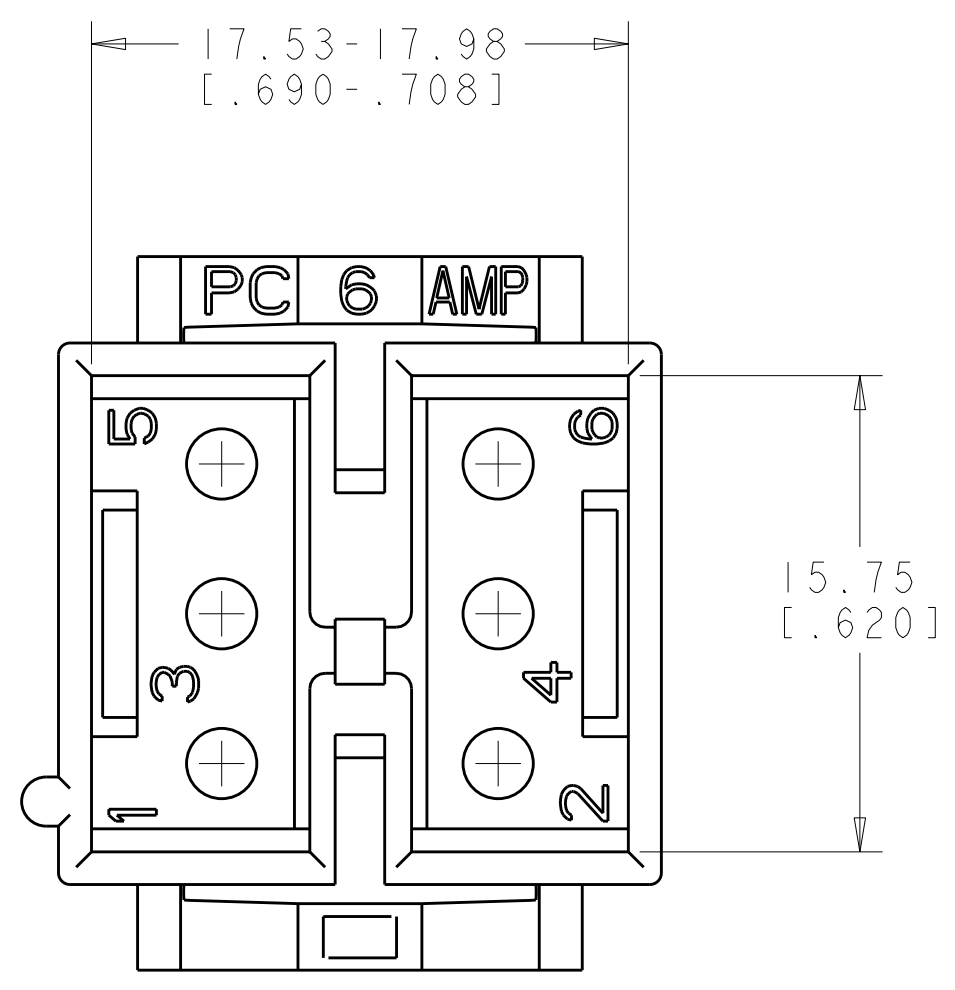
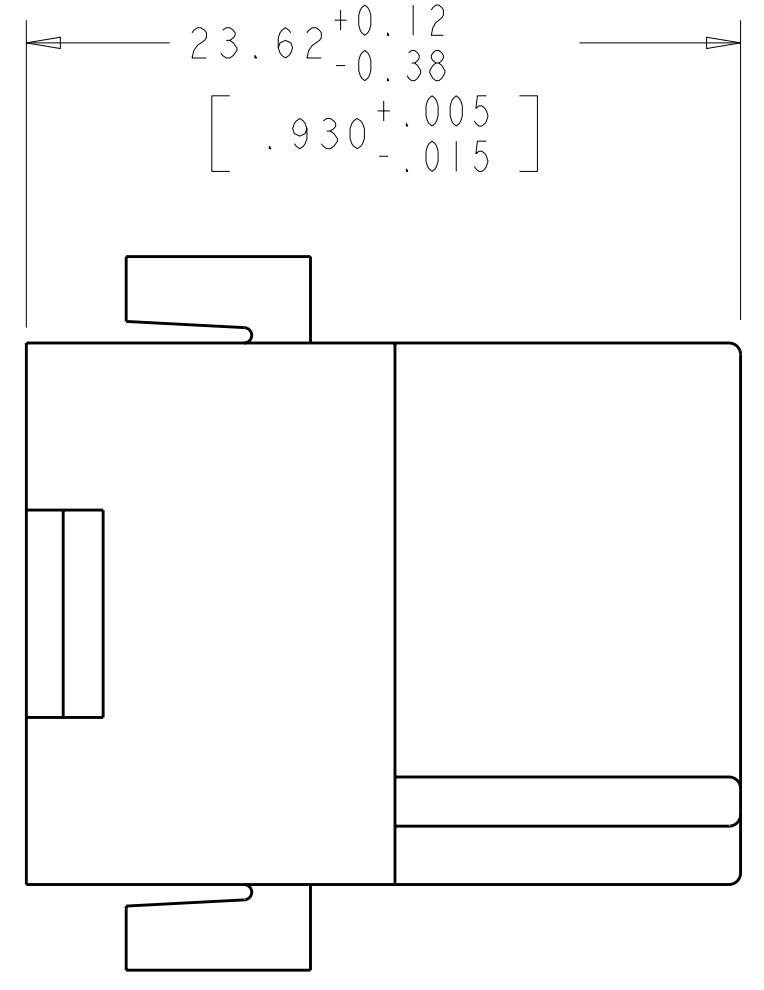
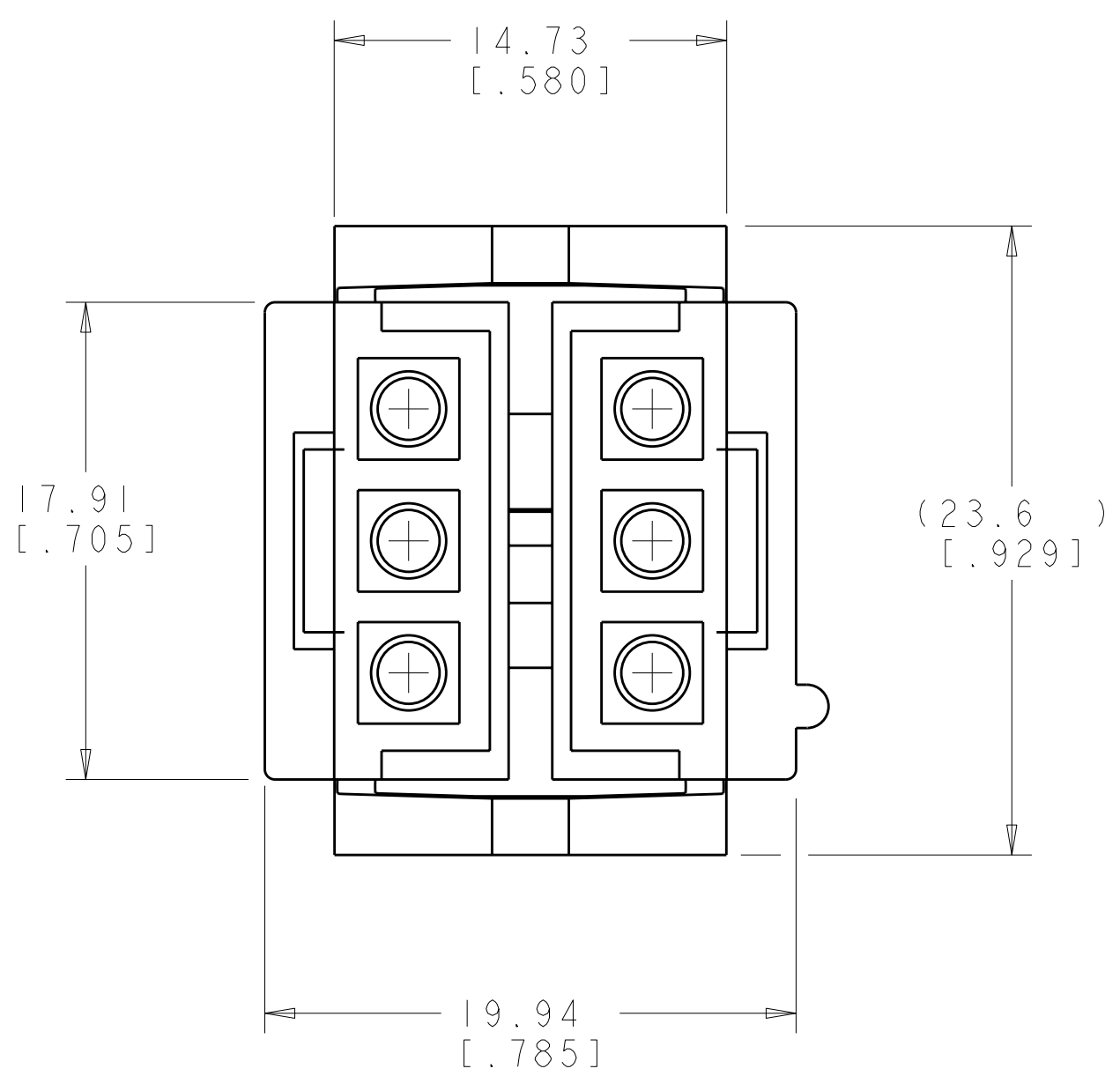
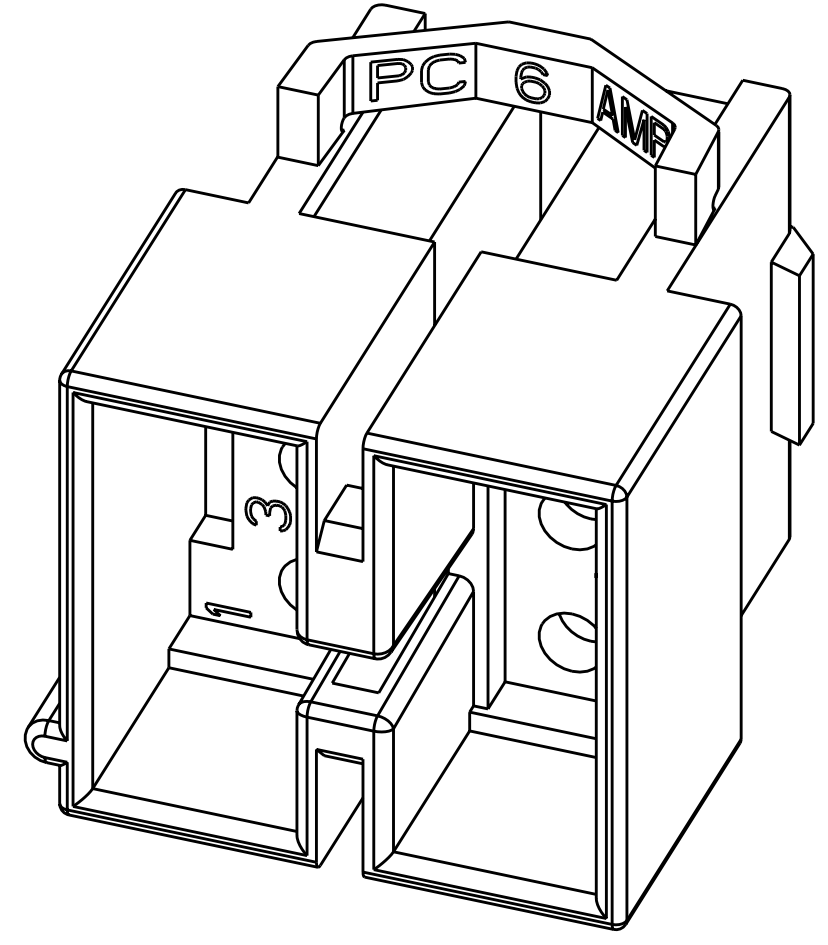
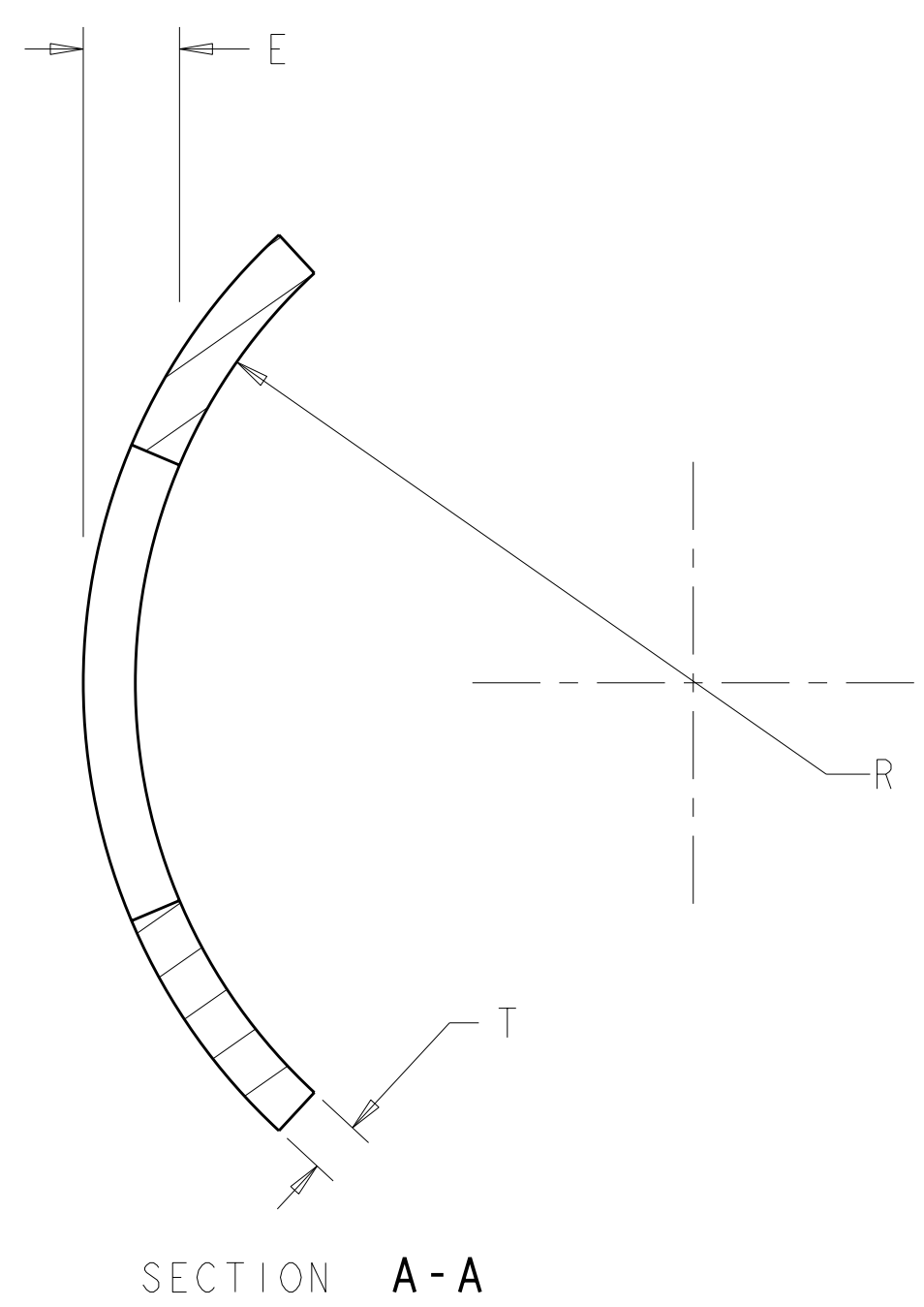
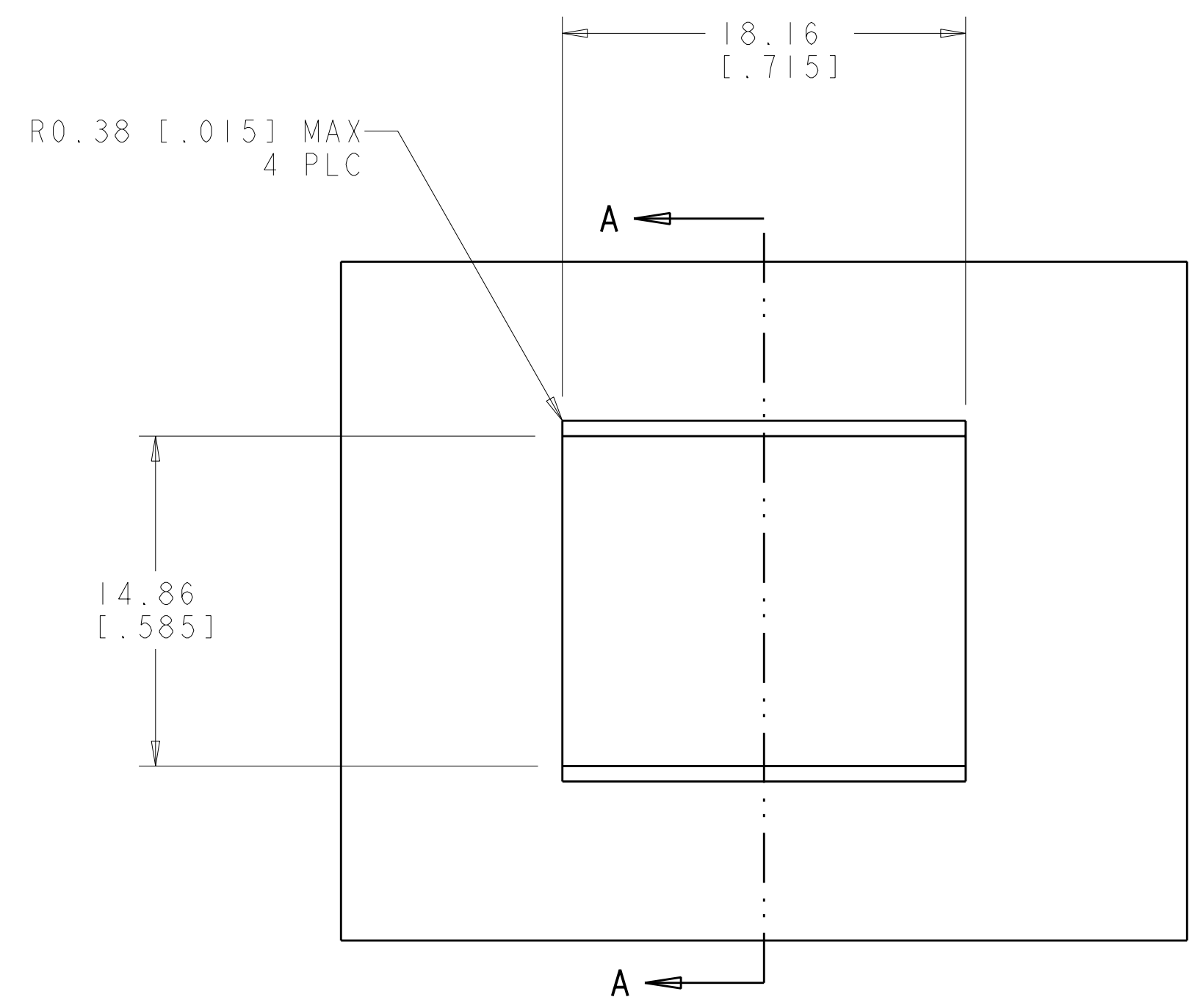
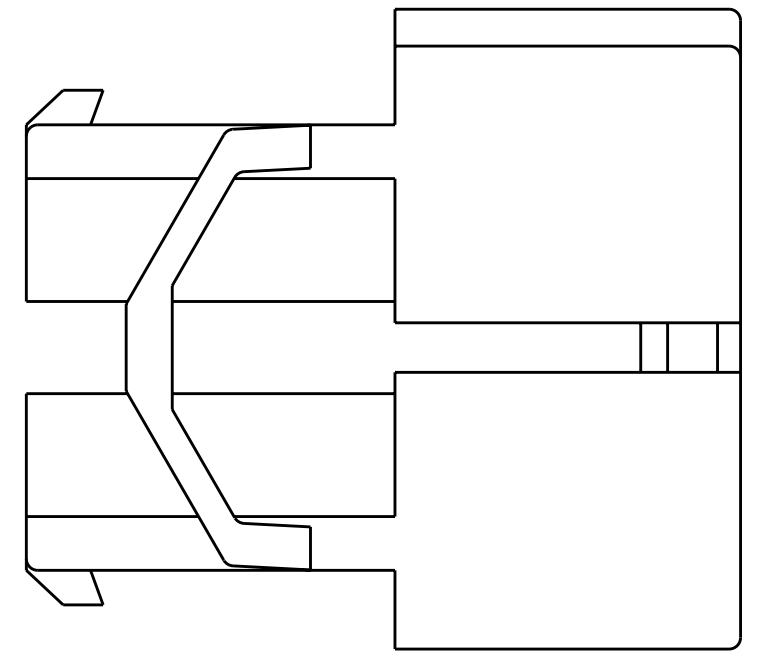


LOC	DIST	REVISIONS					
CM	00	P	LT#	DESCRIPTION	DATE	DWN	APVD
		AE		ECO-07-026122	05NOV2007	KW	CC
		AF		ECO-07-028172	28NOV2007	KW	CC



1. TO BE USED WITH COMMERCIAL MATE-N-LOK™ PINS.
2. TO BE USED WITH PLUG 480270.
3. RECOMMENDED PANEL THICKNESS "E" IS 1.02-2.54 [.040-.100] AND IS DEPENDENT ON "T" AND "R".
4. HOUSING MUST BE INSERTED IN A ROCKING MANNER.
5. THE PANEL MUST BE PUNCHED SO THAT THE HOUSING ENTERS THE PANEL IN THE SAME DIRECTION AS THE PUNCH.
6. MOTOR MOUNT HOUSINGS MAY BE USED IN FLAT PANELS.



RECOMMENDED CUT OUT

0.192 IN ³	1-480271-0
VOLUME	PART NUMBER

METRIC

<small>THIS DRAWING IS UNPUBLISHED. RELEASED FOR PUBLICATION BY TYCO ELECTRONICS CORPORATION. ALL RIGHTS RESERVED.</small>		DWN: R. WHITAKER 01NOV2007 CHK: C. CASH 01NOV2007 APVD: C. CASH 01NOV2007	Tyco Electronics Harrisburg, PA 17105-3608
DIMENSIONS: mm [INCHES]		TOLERANCES UNLESS OTHERWISE SPECIFIED: 9 PLC ± 8 PLC ±0.13 [1.005] 5 PLC ± 4 PLC ± ANGLES ±40° 30'	NAME: CAP. PRODUCT SPEC: 6 CIRCUIT, MOTOR MOUNT, APPLICATION SPEC: COMMERCIAL MATE-N-LOK (TM)
MATERIAL: NYLON UL 94V-2 NATURAL		FINISH: -	SIZE: A 00779 C=480271 WEIGHT: - CUSTOMER DRAWING
SCALE: 4:1		SHEET: 1 OF 1	REV: AF